

Description

The SBP16 is an angle-type balanced pressure steam trap, manufactured in stainless steel. It is corrosion resistant and easily maintainable.

Fluids handled

Saturated steam
Condensate

Sizes and connections

Screwed - BSP 1/2"

Limiting Conditions

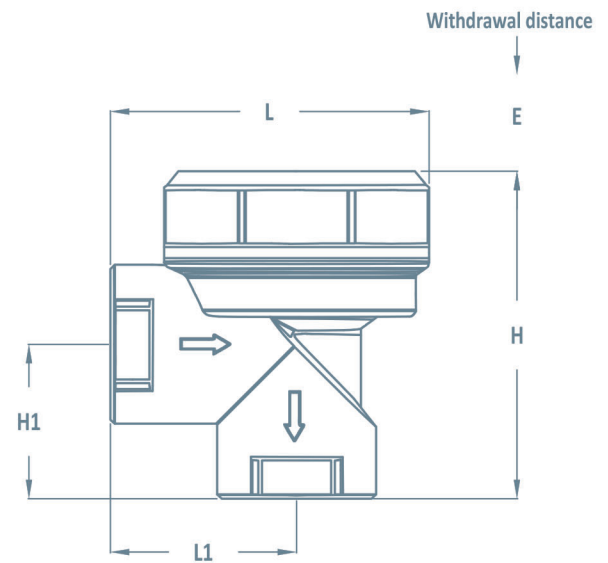
Body design conditions	PN16
Maximum allowable pressure (PMA)	16 bar g @ 120 °C
Maximum allowable temperature (TMA)	250 °C @ 7 bar g
Maximum operating pressure (PMO)	13 bar g
Maximum operating temperature (TMO)	250 °C
Cold hydraulic test pressure	32 bar g

Materials

NO.	Part	Material	
1	Body	Stainless Steel	304
2	Cap	Stainless Steel	304
3	Thermopod	Stainless Steel	304
4	Spring	Stainless Steel	304
5	Spacer Plate	Stainless Steel	304
6	Strainer Screen	Stainless Steel	304
7	Seat	Stainless Steel	304
8	Seat Gasket	Stainless Steel	304
9	Body Gasket	PTFE	-

Dimensions and weights (mm and kg)

Size (DN).	L	L1	H	H1	E	Weight
15	66	39	66	30	50	0.6



Spare Parts

Description	Part NO.
Thermopod assembly kit	3
Seat assembly kit	7,8
Gasket assembly kit	8,9

Safety information, installation and maintenance

The SBP16 steam trap is designed for installation with the thermopod in a horizontal line as the inlet and outlet at the bottom. The trap should be preceded by a short drip leg.

*For full details see the Installation and Maintenance Instructions , supplied with the product.

