



### Description

The SBV16 is a straight two-way stop globe valve having bellows to ensure zero-leakage conditions. This valve has been designed to meet following standards:

Face-to-face lengths: Straight-way valve: DIN EN 558-1

Flanges: DIN EN 1092-2

Flange facing: DIN EN 1092-2, type B

### Fluids handled

Saturated steam  
Superheated steam  
Water services  
Compressed air  
Thermal oil  
Liquid and gaseous systems

### Limiting Conditions

Body design conditions	PN16
Maximum allowable pressure (PMA)	16 bar g @ 120 °C
Maximum allowable temperature (TMA)	300 °C @ 9.8 bar g
Maximum operating pressure (PMO)	12.9 bar g
Maximum operating temperature (TMO)	230 °C
Cold hydraulic test pressure	24 bar g

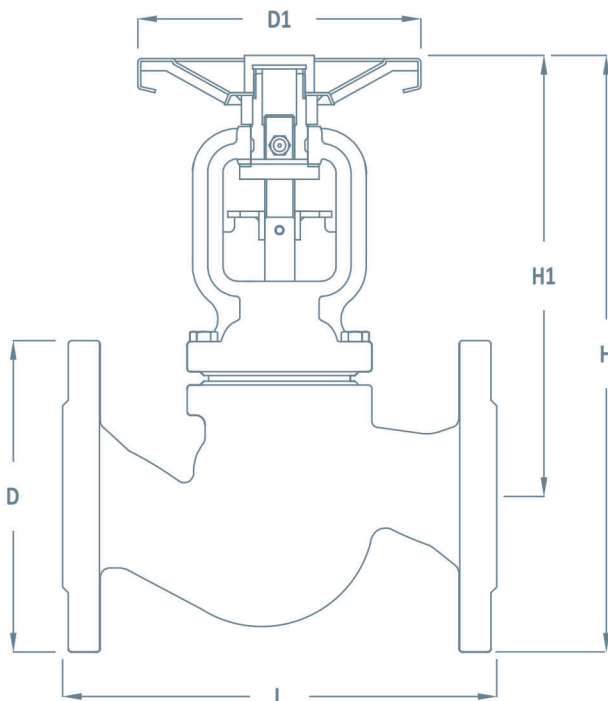
### Sizes and connections

Flanged – PN16

DN15 to DN200

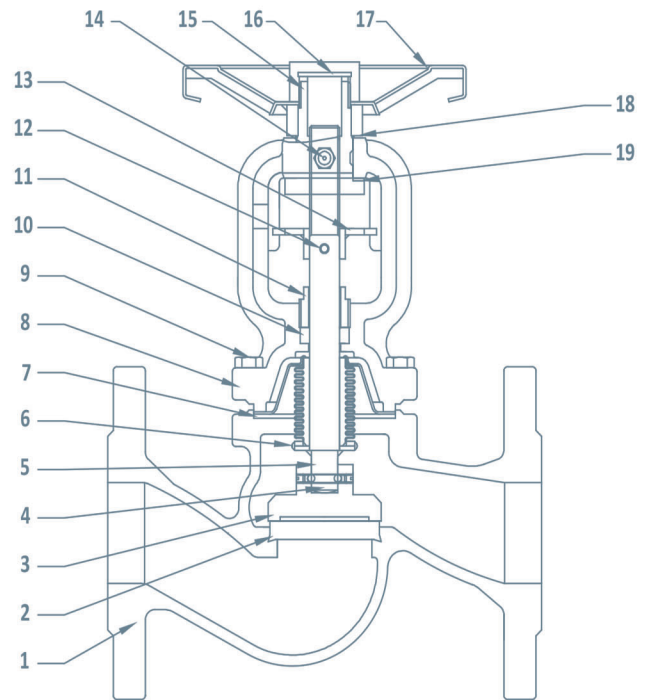
### Dimensions and weights (mm and kg)

Size (DN)	L	H	H1	D	D1	Weight
15	130	239	191	95	120	4
20	150	248	195	105	140	4
25	160	269	211	115	140	5
32	180	289	219	140	140	7
40	200	313	238	150	160	10
50	230	324	241	165	180	12
65	290	352	259	185	200	16
80	310	385	285	200	220	21
100	350	462	352	220	280	36
125	400	521	396	250	320	52
150	480	567	424	285	350	75
200	600	651	481	340	400	145



**Materials**

NO.	Part	Material	
1	Body	SG Iron	GGG40
2	Body Seat Ring	Stainless Steel	304
3	Disc (DN50-15)	Stainless Steel	420
	Disc (DN65-200)	Carbon Steel	A216 WCB
4	Battle Pin	Stainless Steel	304
5	Stem	Stainless Steel	420
6	Bellows	Stainless Steel	304
7	Gasket	Reinforced Graphite	—
8	Bonnet	SG Iron	GGG40
9	Bolt	Steel	RST37-2
10	Packing	Graphite	—
11	Gland	Steel	C45
12	Locking Pin	Stainless Steel	304
13	Locator	Steel	C45
14	Grease Nipple	Steel	—
15	Stem Nut	Steel	C45
16	Locking Nut	Steel	C45
17	Handwheel	Carbon Steel	—
18	Circlip	Carbon Steel	—
19	Washer	Carbon Steel	—


**Safety Information, Installation and Maintenance**

Flow through SBV16 globe valves should be in the direction of the embossed arrow on the valve body.

\*For full details see the Installation and Maintenance Instructions, supplied with the product.

**Spare Parts**

Description	Part NO.
Gasket set	2,7,19
Stem and bellows assembly kit	5,6
Disc assembly kit	3
Handwheel	17